

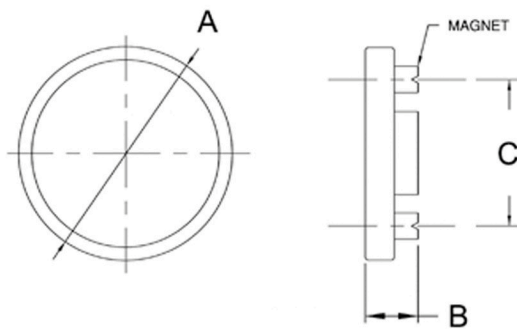
## Applications:

Provide a method to measuring the temperature on a flat metallic surface such as ductwork or motor housings.



## Specifications:

■ Dial	1" (25.4mm), 2"(50mm), 2.5"(63mm),
■ Case	Black Painted Steel, Chrome Plated Steel
■ Lens	Glass / Plexiglass
■ Accuracy	±2.0%
■ Range	0-250 F/C, 0-500 F/C, 50-750 F/C



Dial	A	B	C
2" (50mm)	2.030" (51.562mm)	0.5000" (12.7mm)	1.400" (35.560mm)