

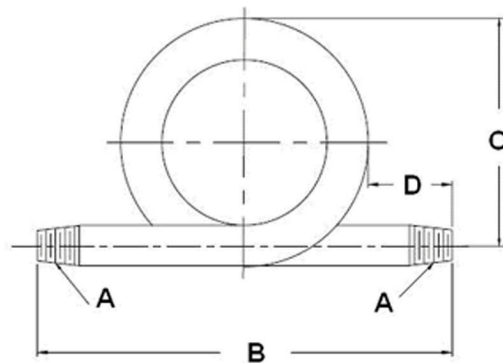
### Applications:

On steam service, the syphon will prevent hot steam from entering a pressure gauge, diaphragm seal or transmitter. Recommended for application involving temperatures above 100F (37C)



### Specifications:

■	Material	2mm or 4mm wall, steel/brass/SS coil
■	Style	90 degree, 180 degree coil or request
■	Connection	1/4" NPT, 1/2" NPT or 1" NPT



A	B	C	D	Material
1/4" NPT	5.728" (145.5mm)	2.283" (58mm)	1.575" (40mm)	Steel SS
1/2" NPT	8.228" (209mm)	4.055" (103mm)	1.870" (47.5mm)	Brass