

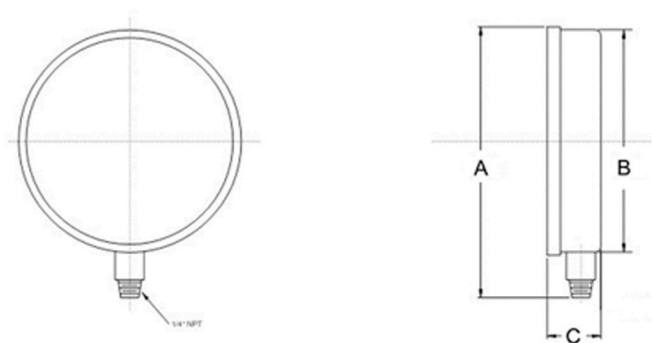
Applications:

Most commercial air, water and steam services that require a 1% full scale accuracy.



Specifications:

■	Dial	4.5"(115mm)
■	Case	Stainless steel
■	Lens	Acrylic
■	Ring	Stainless steel
■	Internal	brass
■	Connection	1/4" NPT
■	Range	0-15 psi/kpa -- 0-5000 PSI/KPA
■	Accuracy	±1.0%



Dial	A	B	C
4.5" (115mm)	5.930" (150.5mm)	4.930" (125.1mm)	1.180" (29.9mm)