

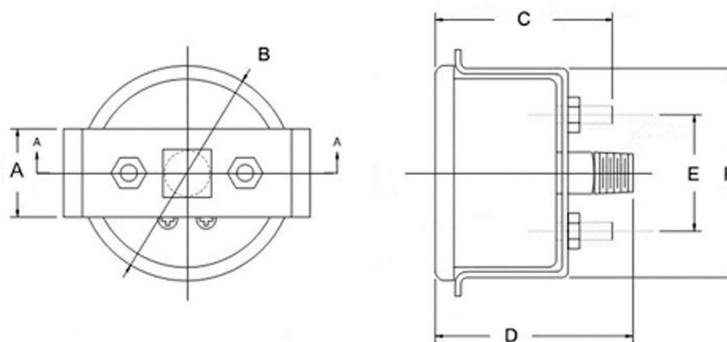
Applications:

For measuring gases, air, water and oils when equipment or processes require a panel mounted gauge.



Specifications:

■ Dial	1.5"(40mm),2"(50mm),2.5"(63mm)
■ Case	Black Plated Steel
■ Lens	Plastic
■ Ring	Stainless steel
■ Internal	Brass
■ Connection	Brass,1/8" or 1/4" NPT
■ Parts	U clamp
■ Range	30"Hg.Vac./kpa -- 0-600 Psi/Kpa
■ Accuracy	±3-2-3%



Dial	A	B	C	D	E	F
1.5" (40mm)	0.760" (19.3mm)	1.850" (47.0mm)	1.52" (38.6mm)	1.700" (43.1mm)	1.000" (25.4mm)	1.800" (45.7mm)
2" (50mm)	0.967" (24.5mm)	2.354" (59.7mm)	1.85" (46.9mm)	1.875" (47.6mm)	1.400" (35.5mm)	2.290" (58.1mm)
2.5" (63mm)	0.967" (24.5mm)	2.600" (66.04mm)	1.85" (46.9mm)	1.910" (48.5mm)	1.400" (35.5mm)	2.650" (67.3mm)