

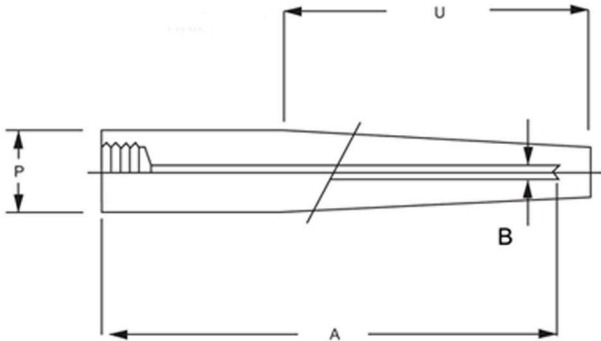
**Applications:**

Utilized anywhere a welded thermowell is required, high pressure and/or high vibration.



**Specifications:**

■ Material	SS304 or SS316
■ thermometer connection	1/2"NPT
■ bore	0.260"(65mm) or indicated



Stem A	U	P	B	Material
4" (100mm)	2.5"	1.05"	0.260" (6.6mm)	304 SS 316 SS
6" (150mm)	4.5"	1.05"	0.260" (6.6mm)	
9" (228.6mm)	7.5"	1.05"	0.260" (6.6mm)	
10" (304.8mm)	10.5"	1.05"	0.260" (6.6mm)	