

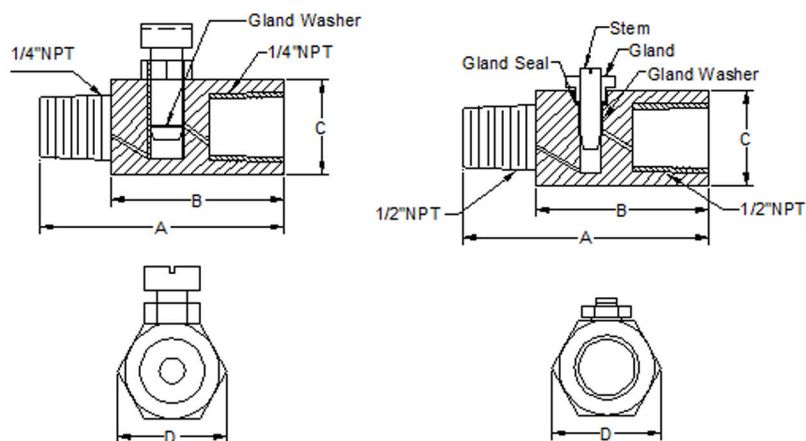
Applications:

Prolongs the life of pressure instruments by reduce the damage effects of pulsation. Can be utilized to change the amount of restriction. Used in pumps, compressors, hydraulic presses or fluid power applications.



Specifications:

	Adjustable Snubber	
■ Body	Stainless or Brass	
■ Connection	1/4" or 1/2" NPT, Male X Female	
■ Temperature Rating	-30C to 200C	



Material	1/4" NPT				1/2" NPT			
	A	B	C	D	A	B	C	D
Brass SS304								
SS316	50.9mm	37.5mm	18.9mm	21.7mm	60.7mm	41.8mm	31.8mm	36.6mm